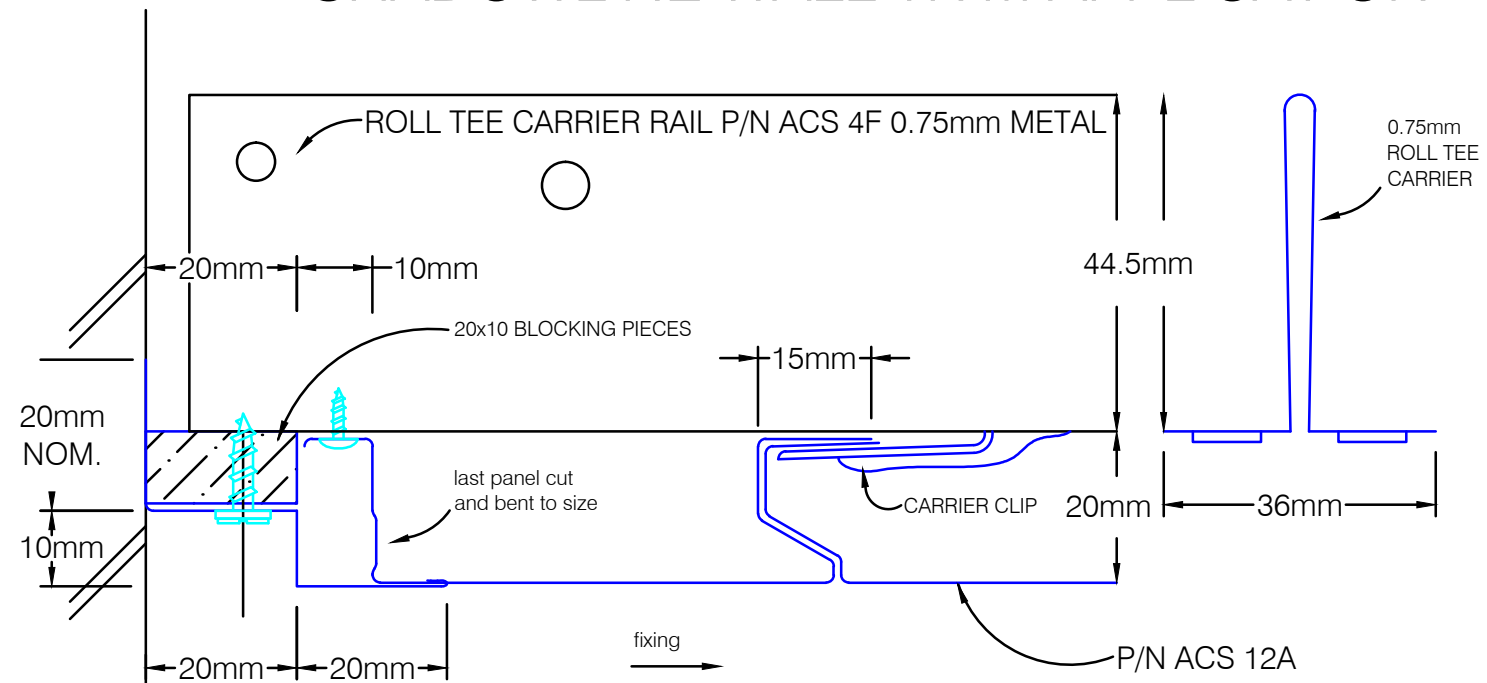
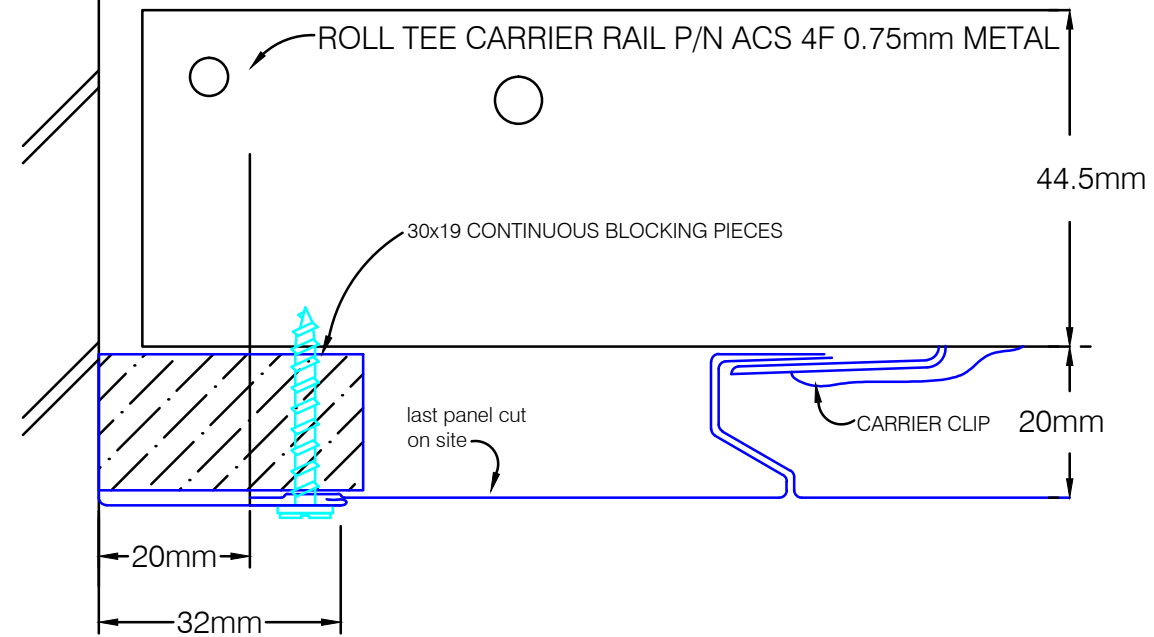


# SHADOWLINE WALL TRIM APPLICATION



Shadowline Wall  
 Trim type: Purpose made to suit application.  
 Please consult with technical representatives where  
 installations in prisons or detention centers is considered.



ARCHITECTURAL CEILING SYSTEMS PTY LTD  
 CEILINGS DESIGN, MANUFACTURE INSTALLATION & CONSULTANT SERVICES

1-3 Irvine Street, Bayswater, Western Australia 6053  
 PO Box 93, Baywater Western Australia 6933  
 Telephone +61 8 9271 0777  
 Facsimile +61 8 9272 2801  
 Web www.heafod.com.au

ACS does not provide professional design services but gives information to guide decisions by others as to the most suitable ACS ceiling products. ACS does not warrant, and assumes no liability for the accuracy, completeness, applicability, or fitness for purpose for any particular installation, as a result of any information used.

CUSTOMER - SCALE 1:1  
 JOB SHADOWLINE DRAWN N.J.

TITLE  
 - SHADOWLINE -  
 WALL TRIM APPLICATION

JOB No	-	A3
DWG No	ACS003	
REV		