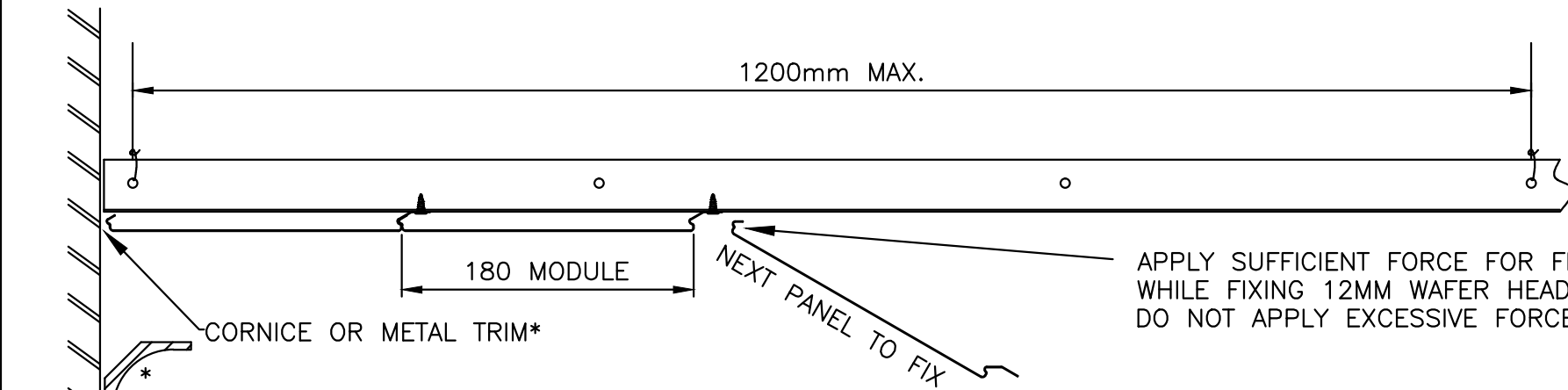
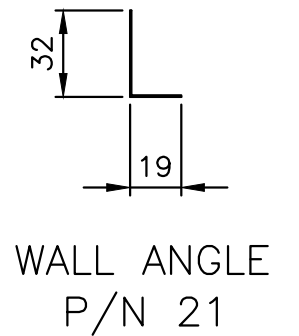
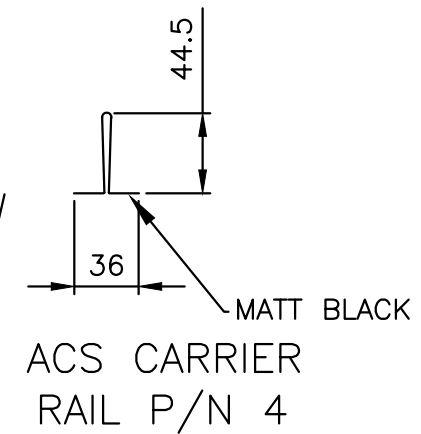


HARMONI 180

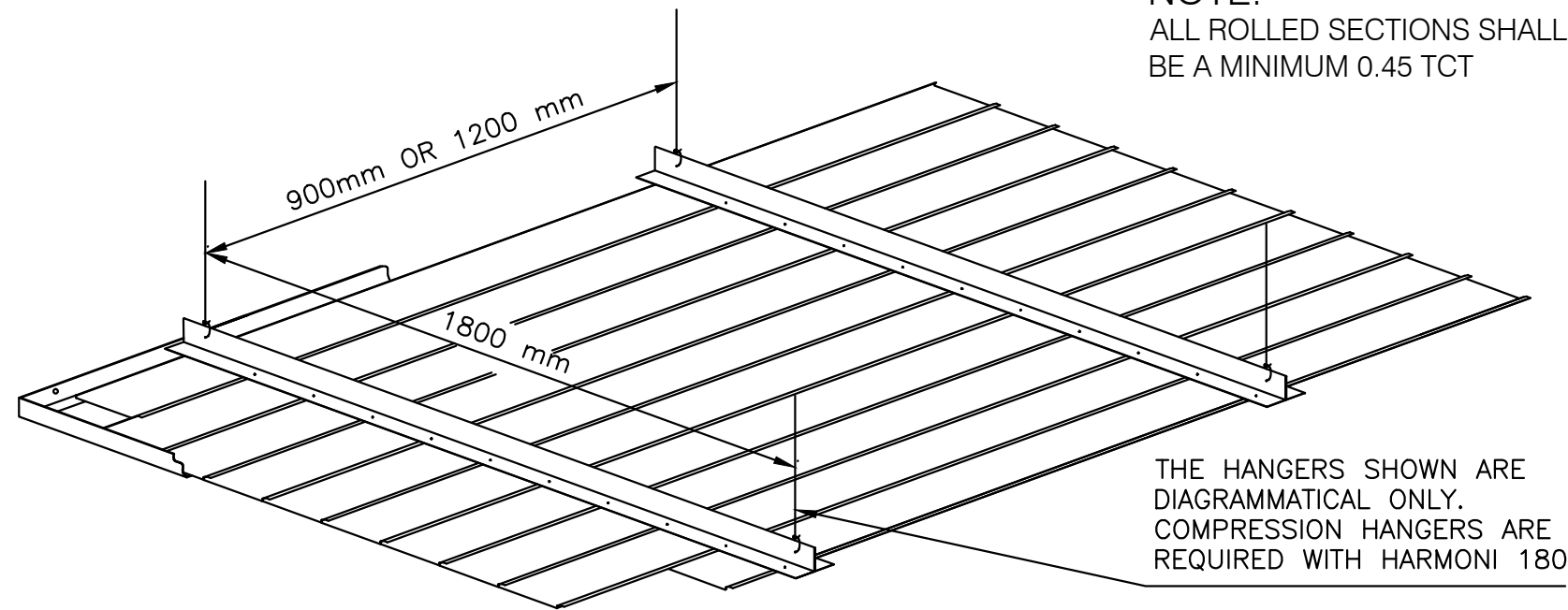
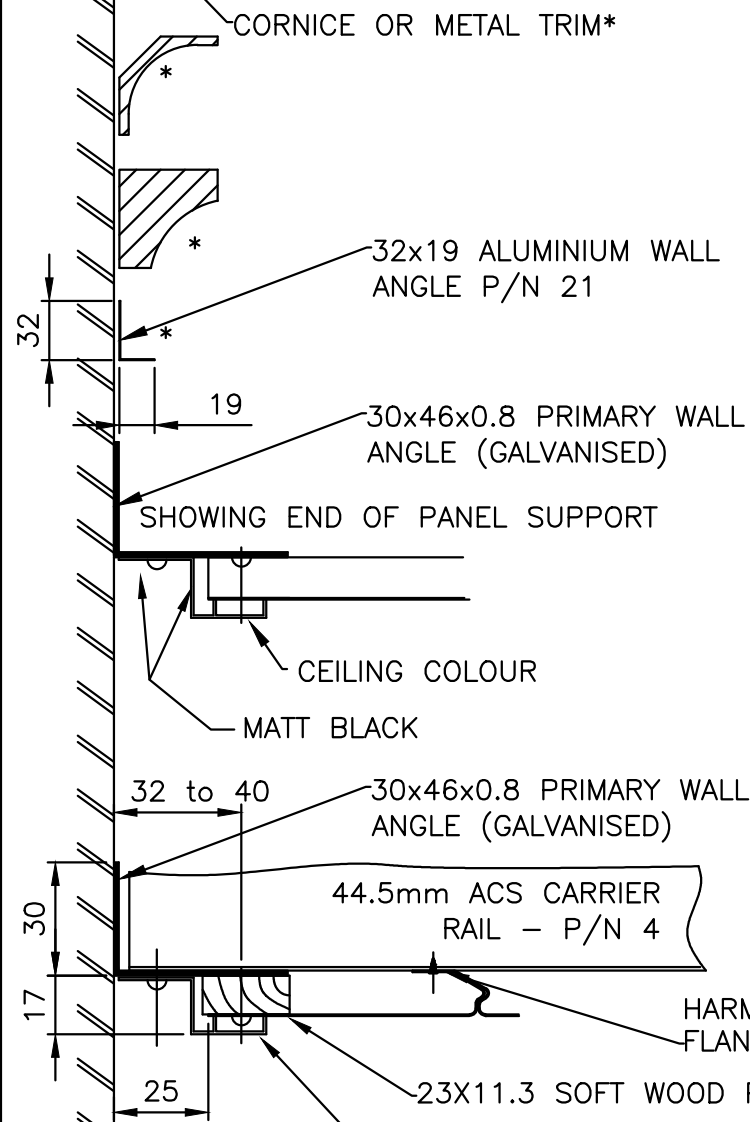
'HARMONI 180' can be fixed direct to purlins, girts, beams and any existing rails which are level. It can also be fixed to roll tee rails as shown and to any furring system.

12mm WAFER HEAD SELF DRILLING SCREW



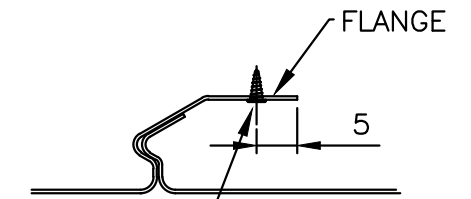
APPLY SUFFICIENT FORCE FOR FIRM FIT AND HOLD FIRMLY WHILE FIXING 12MM WAFER HEAD TEK SCREW. DO NOT APPLY EXCESSIVE FORCE.

NOTE:
ALL ROLLED SECTIONS SHALL BE A MINIMUM 0.45 TCT



THE HANGERS SHOWN ARE DIAGRAMMATICAL ONLY. COMPRESSION HANGERS ARE REQUIRED WITH HARMONI 180

CUT HARMONI PANEL 25MM SHORT OF WALL
ALUMINIUM WALL TRIM (P/N 121A) FOR HARMONI CEILINGS—
NEGATIVE DETAIL. THIS ALTERNATIVE METAL TRIM
ALLOWS PANEL REMOVAL WHEN REQUIRED.



NOTE: THE POSITION OF THE FIXING SCREW IS IMPORTANT TO FACILITATE ACCESSABILITY.



ARCHITECTURAL CEILING SYSTEMS PTY LTD
CEILINGS DESIGN, MANUFACTURE INSTALLATION & CONSULTANT SERVICES

1-3 Irvine Street, Bayswater, Western Australia 6053
PO Box 93, Baywater Western Australia 6933
Telephone +61 8 9271 0777
Facsimile +61 8 9272 2801
Web www.heafod.com.au

ACS does not provide professional design services but gives information to guide decisions by others as to the most suitable ACS ceiling products. ACS does not warrant, and assumes no liability for the accuracy, completeness, applicability, or fitness for purpose for any particular installation, as a result of any information used.

CUSTOMER -	SCALE ~1:10
JOB HARMONI 180	DRAWN N.J.

TITLE
**HARMONI 180
INSTALLATION**

JOB No	-	A3
DWG No	ACS004	
REV		