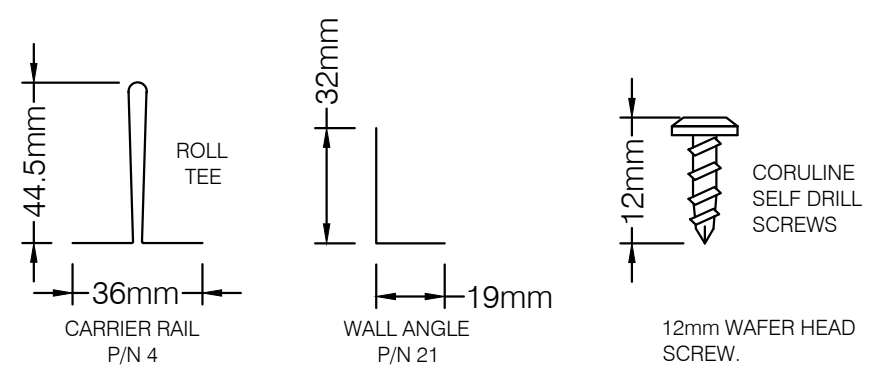
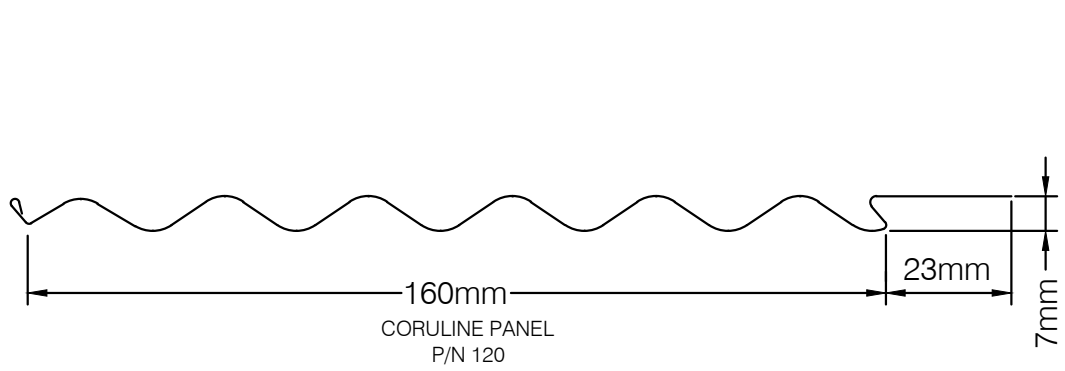
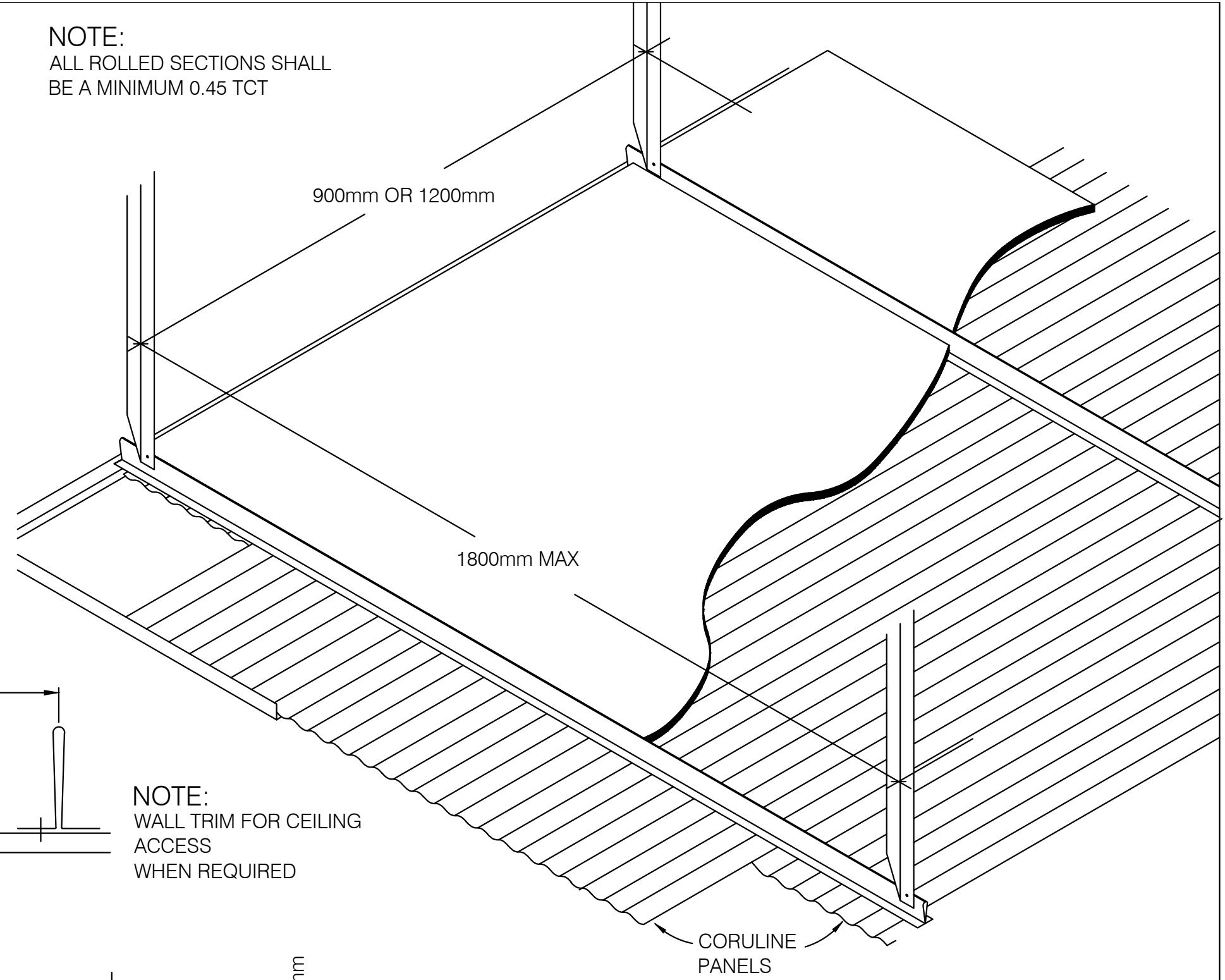
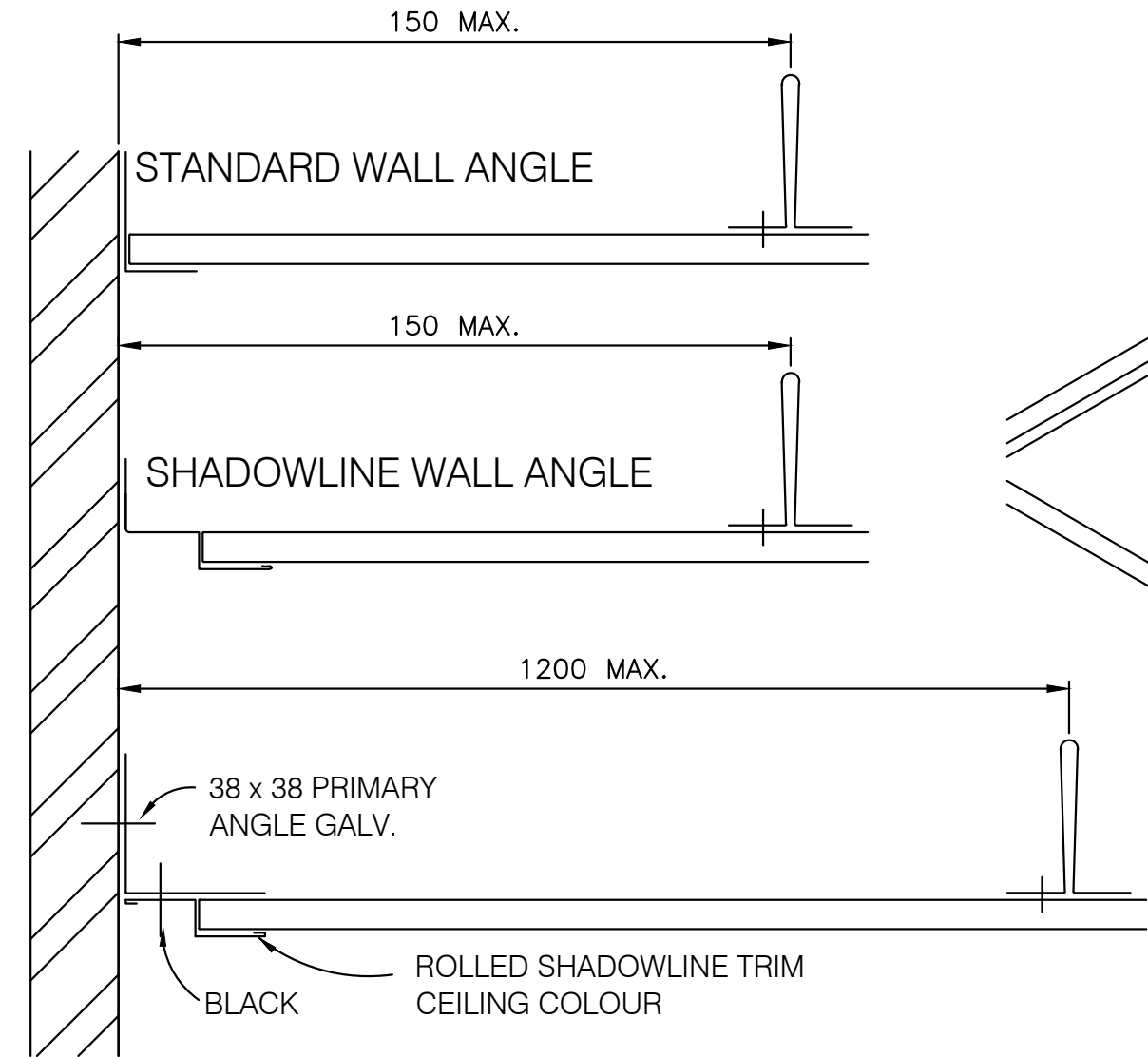


# CORULINE

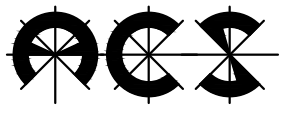
'CORULINE' can be fixed direct to purlins, girts, beams and any existing rails which are level. It can also be fixed to roll tee rails as shown and to any furring system.

'CORULINE' can be curved across its width and its length with the proper planning.

NOTE:  
ALL ROLLED SECTIONS SHALL  
BE A MINIMUM 0.45 TCT



FOR ADDITIONAL INSTALLATION INFORMATION  
SEE DRAWING ACS008B  
FOR RECREATION AREAS APPLY TO MANUFACTURER  
FOR "SECURITY" INSTALLATION SPECIFICATION.



ARCHITECTURAL CEILING SYSTEMS PTY LTD  
CEILINGS DESIGN, MANUFACTURE INSTALLATION & CONSULTANT SERVICES

1-3 Irvine Street, Bayswater, Western Australia 6053  
PO Box 93, Baywater Western Australia 6933  
Telephone +61 8 9271 0777  
Facsimile +61 8 9272 2801  
Web www.heafod.com.au

ACS does not provide professional design services but gives information to guide decisions by others as to the most suitable ACS ceiling products. ACS does not warrant, and assumes no liability for the accuracy, completeness, applicability, or fitness for purpose for any particular installation, as a result of any information used.

CUSTOMER -	SCALE ~1:10
JOB CORULINE	DRAWN N.J.

TITLE  
CORULINE INSTALLATION

JOB No	-	A3
DWG No	ACS008A	
REV		