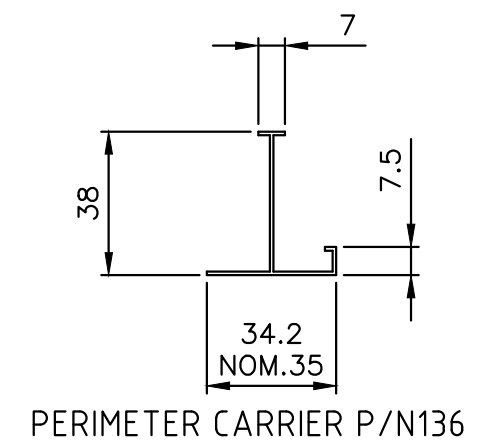
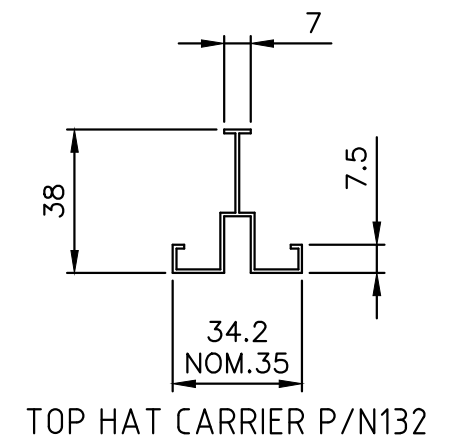
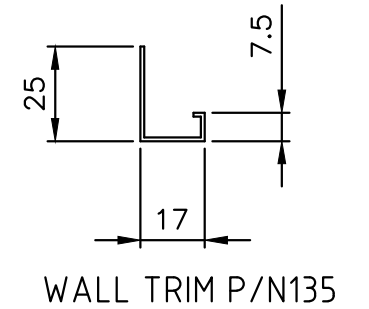
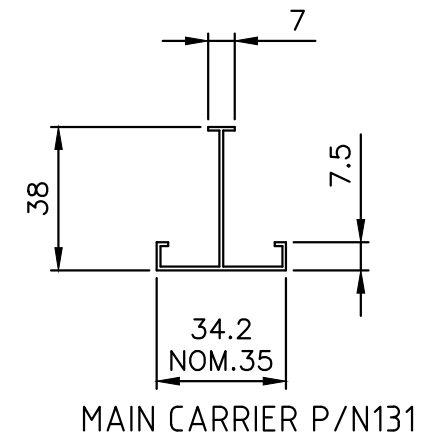
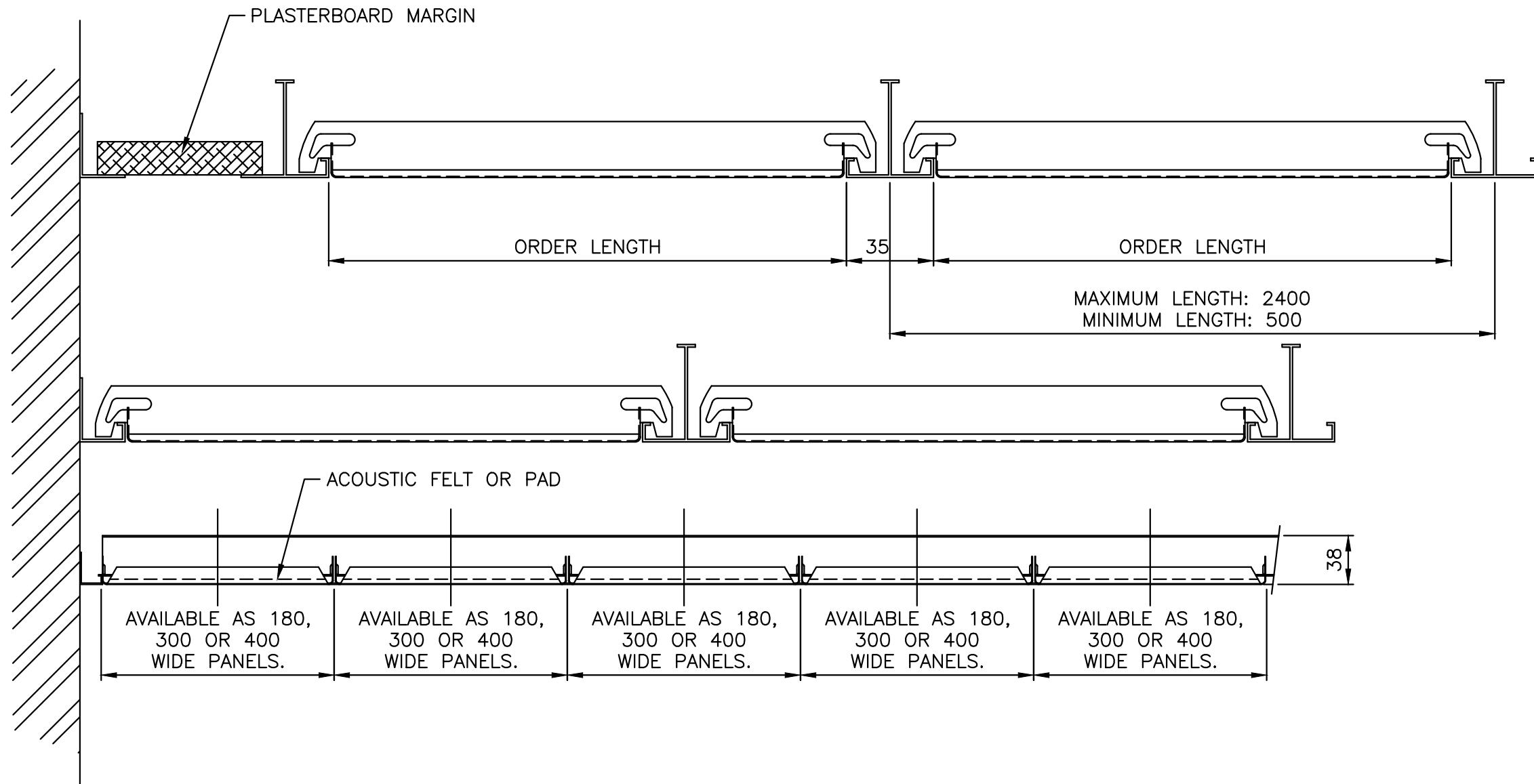


# "PLAFOND" ACOUSTIC METAL CEILING SYSTEM

PERFORATED PANELS - 180, 300 AND 400 WIDTHS



**USES:**

- MAIN CEILING IN OFFICES, SHOPS AND CORRIDORS
- LONG ADJUSTABLE SPANS TO SUIT CORRIDORS OF VARYING WIDTHS
- EASY ACCESS TO SERVICES ABOVE

FINISH: STANDARD WHITE "COLORBOND"

PERFORATIONS: Ø2.0@7mm CRS - DIAGONAL PATTERN



ARCHITECTURAL CEILING SYSTEMS PTY LTD  
CEILINGS DESIGN, MANUFACTURE INSTALLATION & CONSULTANT SERVICES

ACS does not provide professional design services but gives information to guide decisions by others as to the most suitable ACS ceiling products. ACS does not warrant, and assumes no liability for the accuracy, completeness, applicability, or fitness for purpose for any particular installation, as a result of any information used.

1-3 Irvine Street, Bayswater, Western Australia 6053  
PO Box 93, Baywater Western Australia 6933  
Telephone +61 8 9271 0777  
Facsimile +61 8 9272 2801  
Web www.heafod.com.au

CUSTOMER	-	SCALE	1:2
JOB	PLAFOND	DRAWN	N.J. 20/02/2013

TITLE  
**PLAFOND PLANK  
CEILING SYSTEM**

JOB No	-	A3
DWG No	ACS022	
REV		