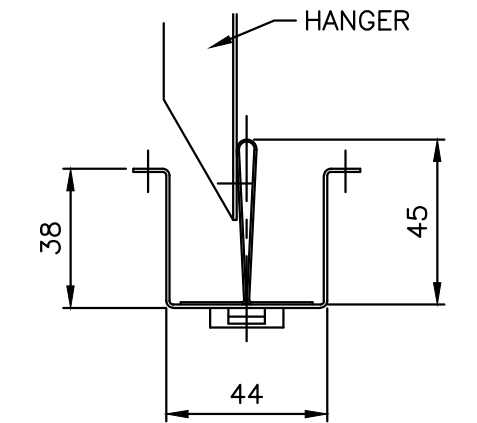
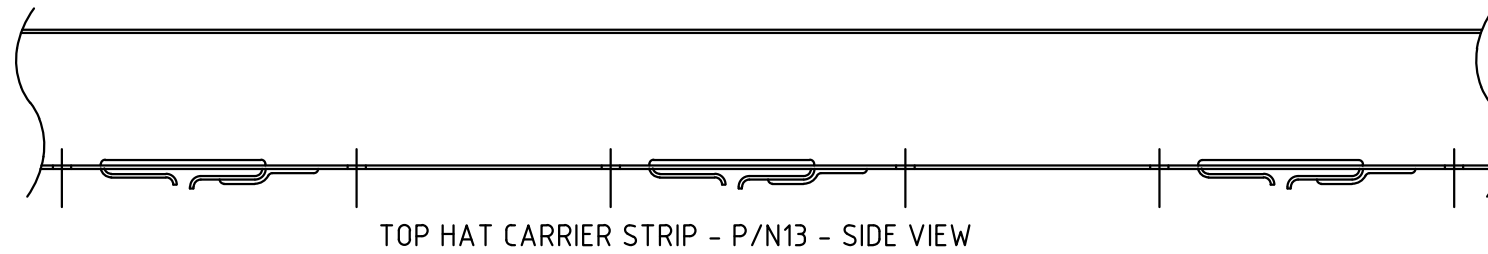
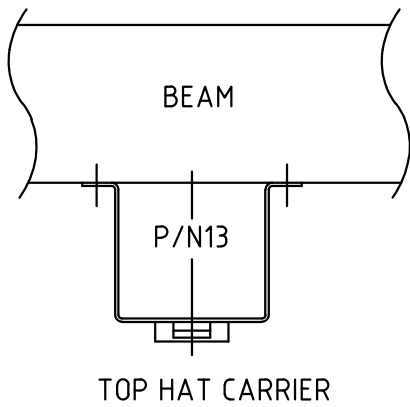
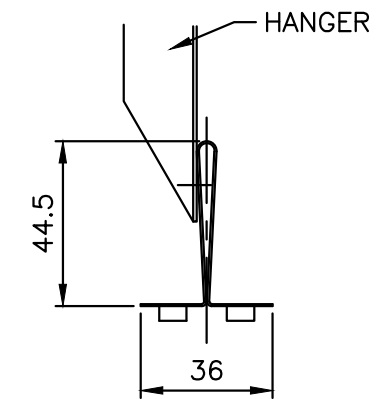
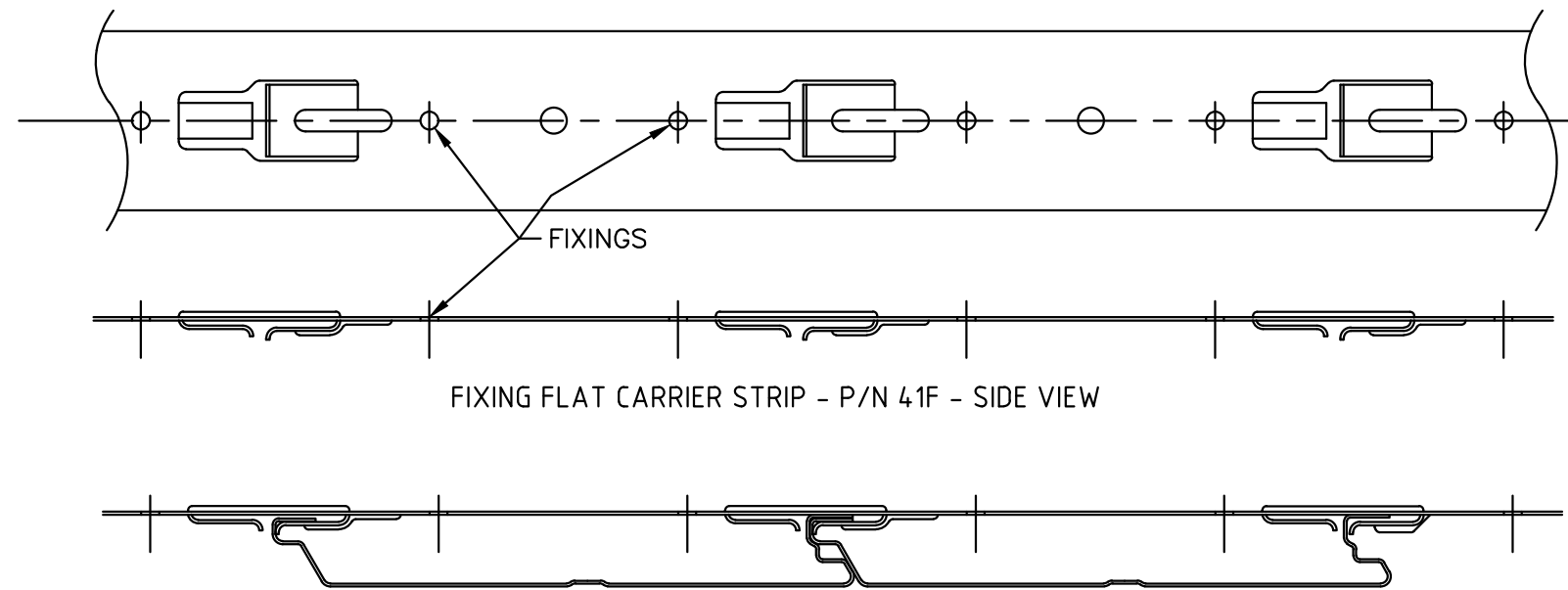
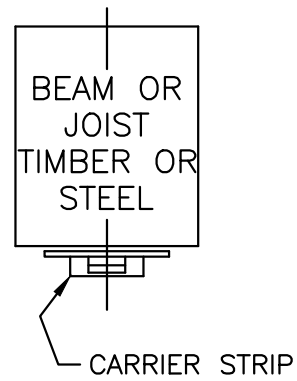


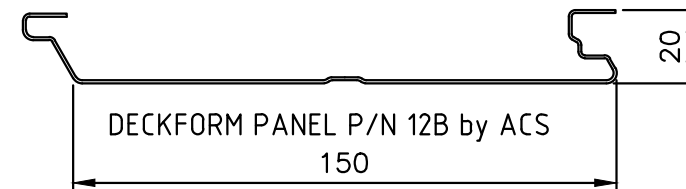
"DECKFORM" WALL AND SOFFIT CLADDING  
 SPECIAL ACOUSTIC CEILING - SPAC DECKFORM PERFORATED



COMPOSITE CARRIER  
 SUSPENDED SPAN - 1.8m



STD. TEE CARRIER  
 P/N 4F  
 SUSPENDED SPAN - 1.2m



MATERIAL - 'COLORBOND' OVER ZINCALUME  
 THICKNESS - 0.6MM OR 0.8MM  
 MODULE - 150  
 LENGTHS - TO ORDER



ARCHITECTURAL CEILING SYSTEMS PTY LTD  
 CEILINGS DESIGN, MANUFACTURE INSTALLATION & CONSULTANT SERVICES

1-3 Irvine Street, Bayswater, Western Australia 6053  
 PO Box 93, Baywater Western Australia 6933  
 Telephone +61 8 9271 0777  
 Facsimile +61 8 9272 2801  
 Web www.heafod.com.au

ACS does not provide professional design services but gives information to guide decisions by others as to the most suitable ACS ceiling products. ACS does not warrant, and assumes no liability for the accuracy, completeness, applicability, or fitness for purpose for any particular installation, as a result of any information used.

CUSTOMER -	SCALE 1:2
JOB DECKFORM	DRAWN N.J.

TITLE - DECKFORM -

JOB No	-	A3
DWG No	ACS023	
REV		