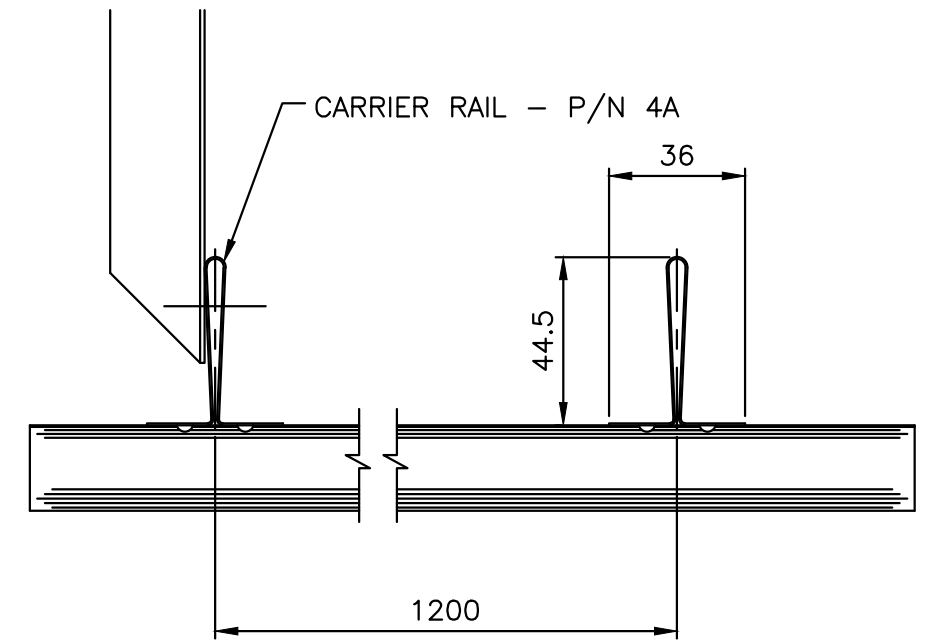
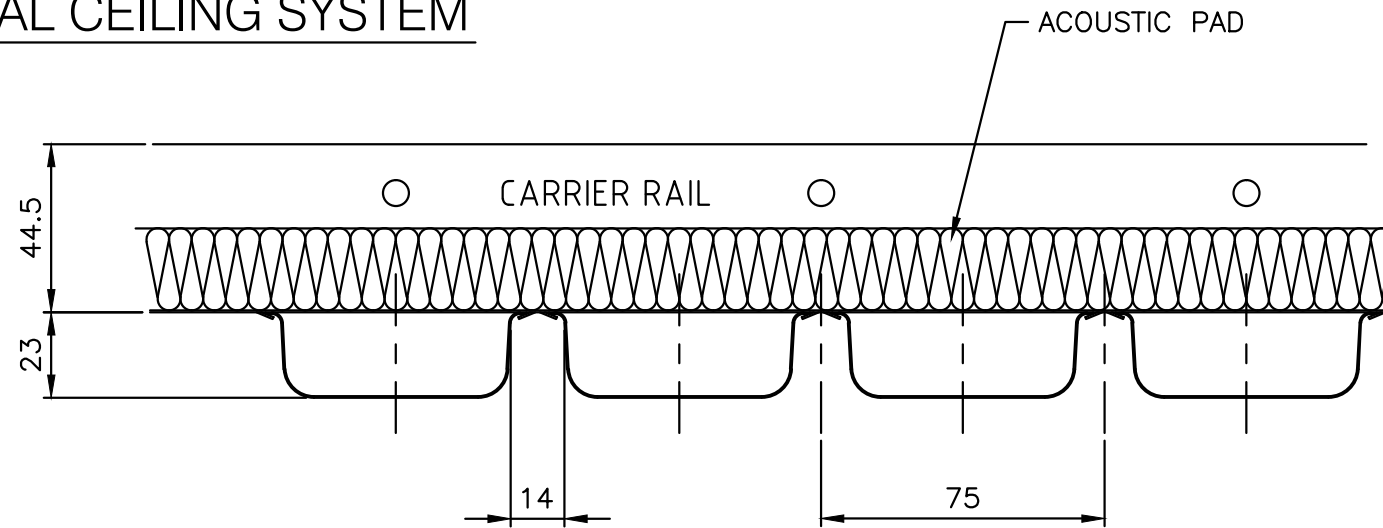
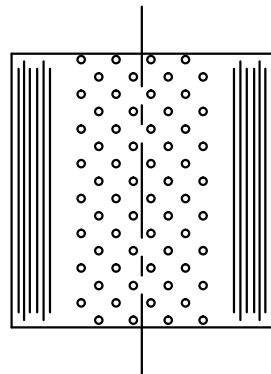


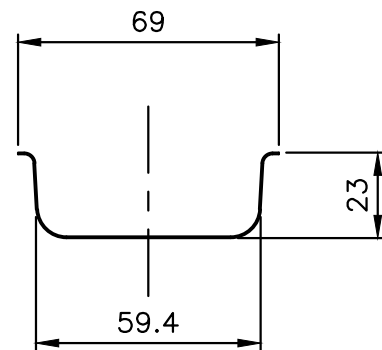
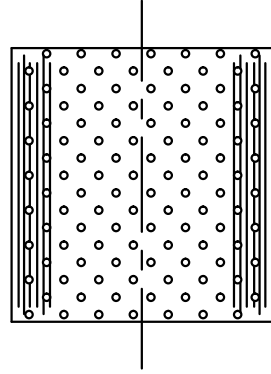
**"FORMS" SPECIAL DEEP PROFILE LINEAR  
ACOUSTIC METAL CEILING SYSTEM**



BAND PERFORATED



FULLY PERFORATED



FORMS CEILING PANEL

CEILING LINING

MODULE - 75

MATERIAL - 'COLORBOND' OVER ZINCALUME

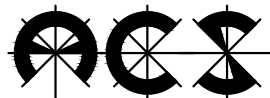
LENGTHS TO ORDER: LIMIT \_\_\_\_\_

PART No.

UNPERFORATED - 117A

BAND PERFORATED - 117B

FULLY PERFORATED - 117C



ARCHITECTURAL CEILING SYSTEMS PTY LTD  
CEILINGS DESIGN, MANUFACTURE INSTALLATION & CONSULTANT SERVICES

ACS does not provide professional design services but gives information to guide decisions by others as to the most suitable ACS ceiling products. ACS does not warrant, and assumes no liability for the accuracy, completeness, applicability, or fitness for purpose for any particular installation, as a result of any information used.

1-3 Irvine Street, Bayswater, Western Australia 6053  
PO Box 93, Bayswater Western Australia 6933  
Telephone +61 8 9271 0777  
Facsimile +61 8 9272 2801  
Web www.heafod.com.au

CUSTOMER -  
JOB FORMS

SCALE 1:2  
DRAWN N.J.

TITLE  
FORMS LINEAR SYSTEM

JOB No	-	A3
DWG No	ACS024	
REV		