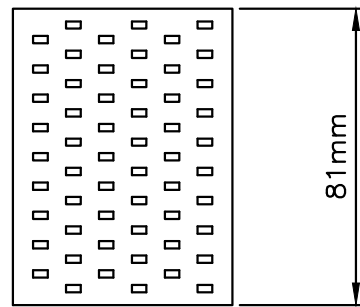
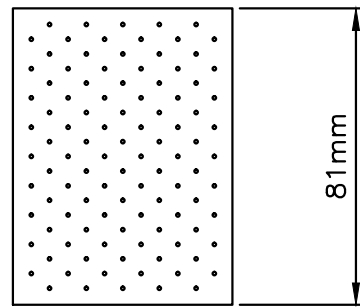


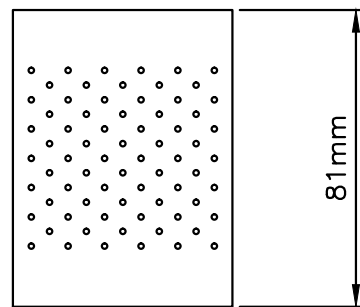
OFFSET BRIDGE
PERFORATED



FULLY PERFORATED

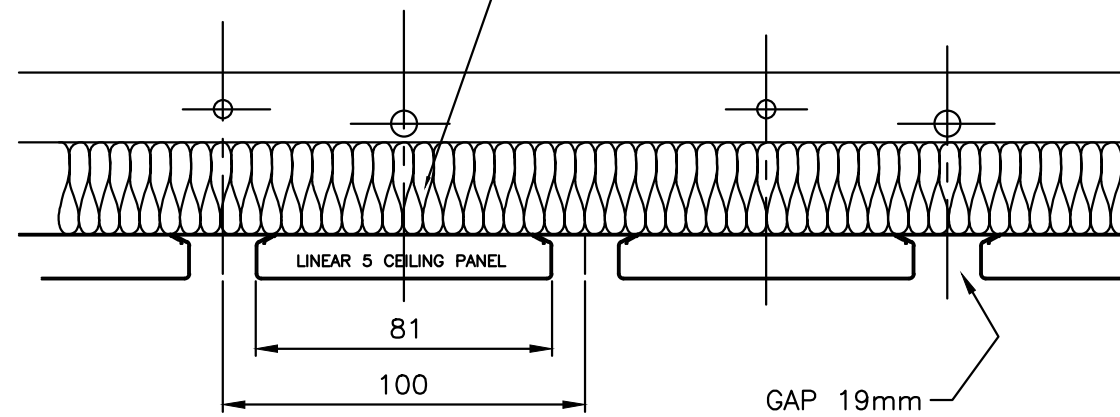


BAND PERFORATED

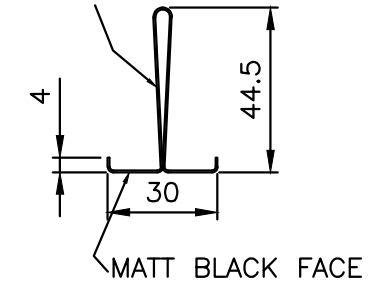


NOTE
IMPORTANT FEATURE
CEILING PANELS & CARRIERS
COLOURBOND OVER
ZINCALUME BASE
TCT = 0.45/0.47mm

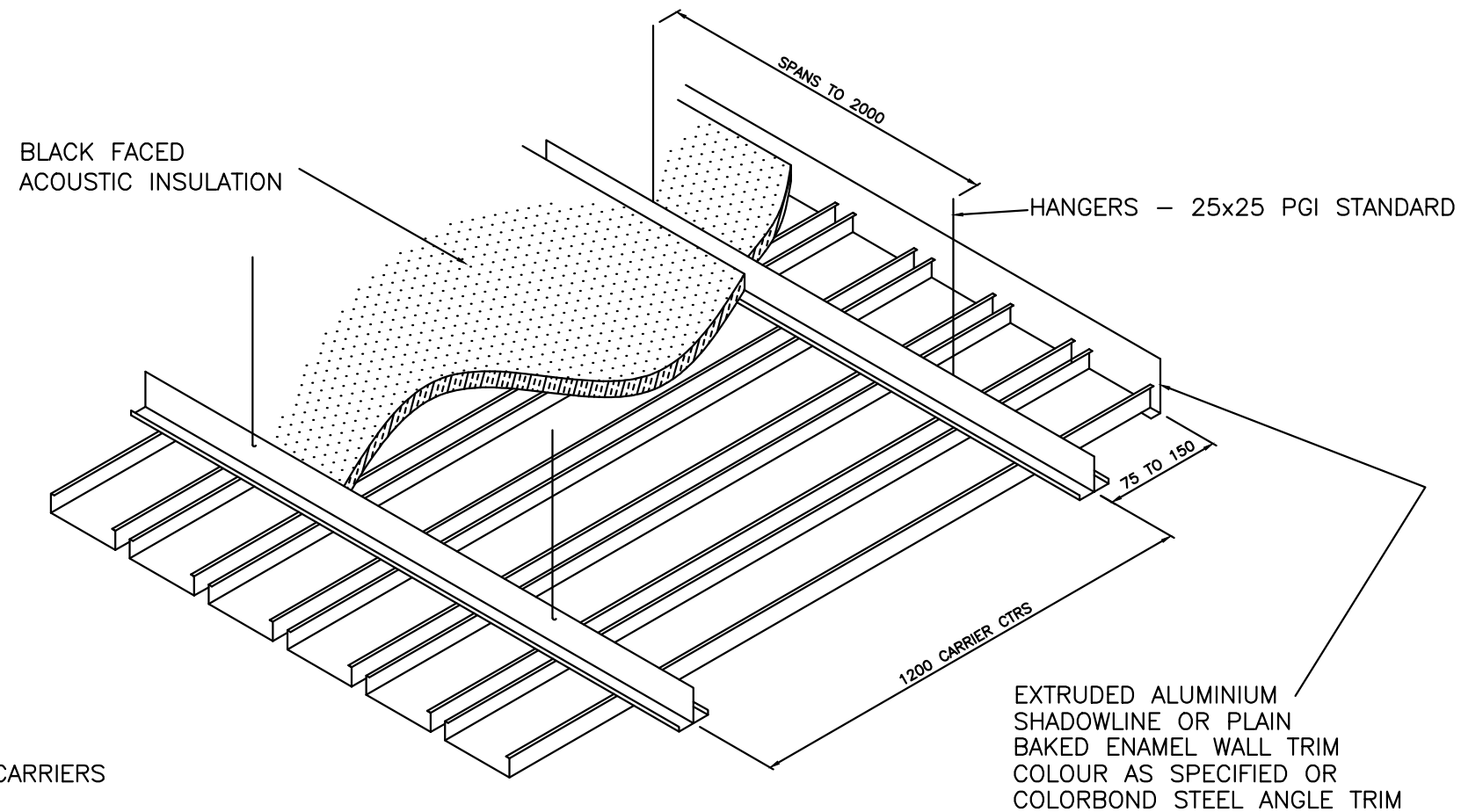
BLACK SCRIM FACED
ACOUSTIC INSULATION
AS SPECIFIED



GENERAL PURPOSE RAIL
SPANS TO 1.8 METRES



CARRIER RAIL



SYSTEM ASSEMBLY



ARCHITECTURAL CEILING SYSTEMS PTY LTD
CEILINGS DESIGN, MANUFACTURE INSTALLATION & CONSULTANT SERVICES

1-3 Irvine Street, Bayswater, Western Australia 6053
PO Box 93, Baywater Western Australia 6933
Telephone +61 8 9271 0777
Facsimile +61 8 9272 2801
Web www.heafod.com.au

ACS does not provide professional design services but gives information to guide decisions by others as to the most suitable ACS ceiling products. ACS does not warrant, and assumes no liability for the accuracy, completeness, applicability, or fitness for purpose for any particular installation, as a result of any information used.

CUSTOMER -	SCALE 1:2
JOB LINEAR 5	DRAWN N.J.

TITLE
- LINEAR 5 -

JOB No	-	A3
DWG No	ACS011	
REV		